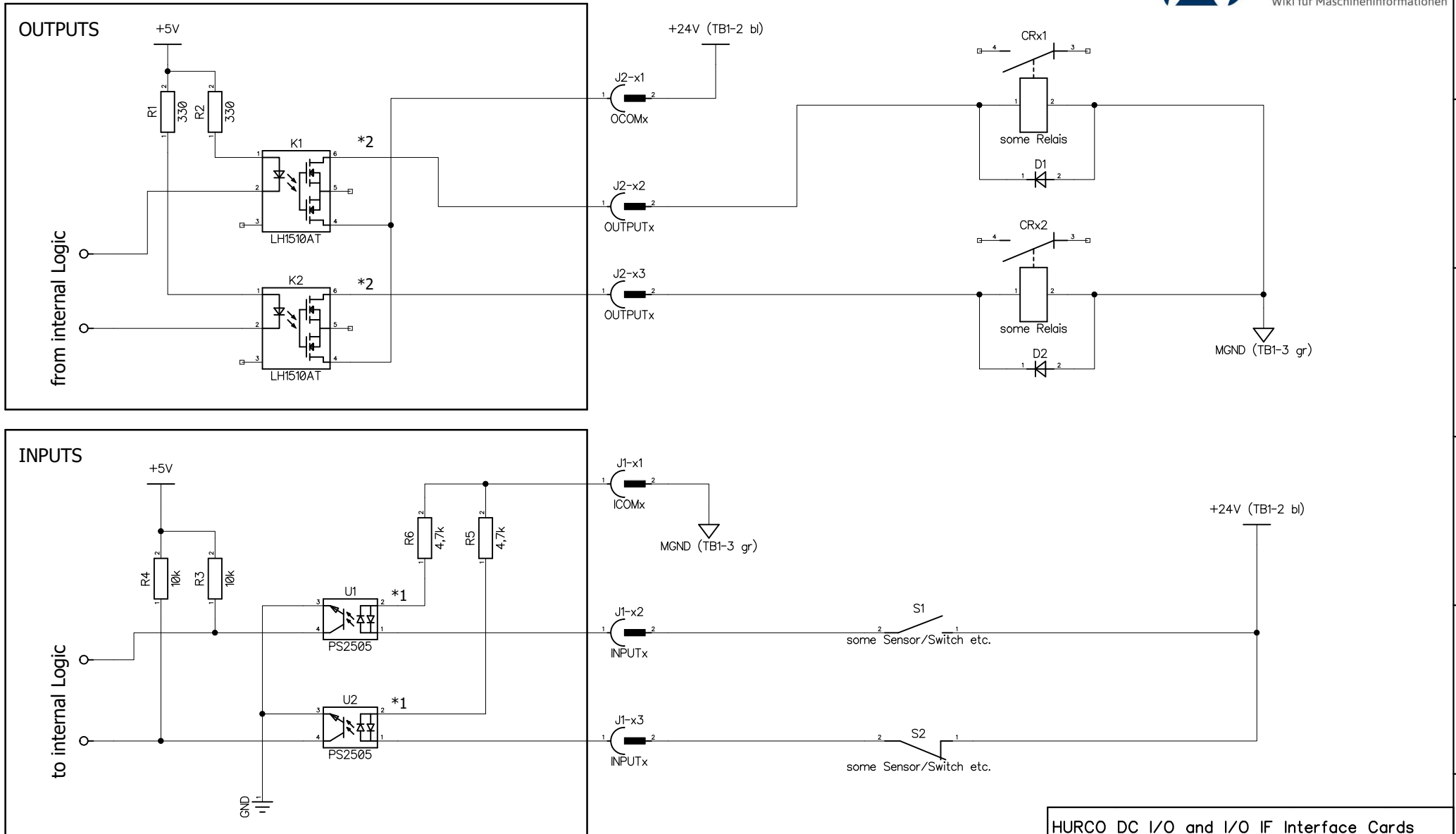


HURCO DC I/O and I/O IF Interface Cards



TB1-1	or	+24 V switched
TB1-2	bl	+24 V
TB1-3	gr	GND

*1) typ. 5 mA, 1,2 V
 *2) Ron = 3,2 Ohm (DC only); max. 200 mA; Roff > 0,5 GOhm
 J1, J2 = blue Honda

HURCO DC I/O and I/O IF Interface Cards		
Size	Number	Rev
A4		1.0
Date	09.02.2022	MASCHINFO
Input_Output_Sample.dch	Sheet	